

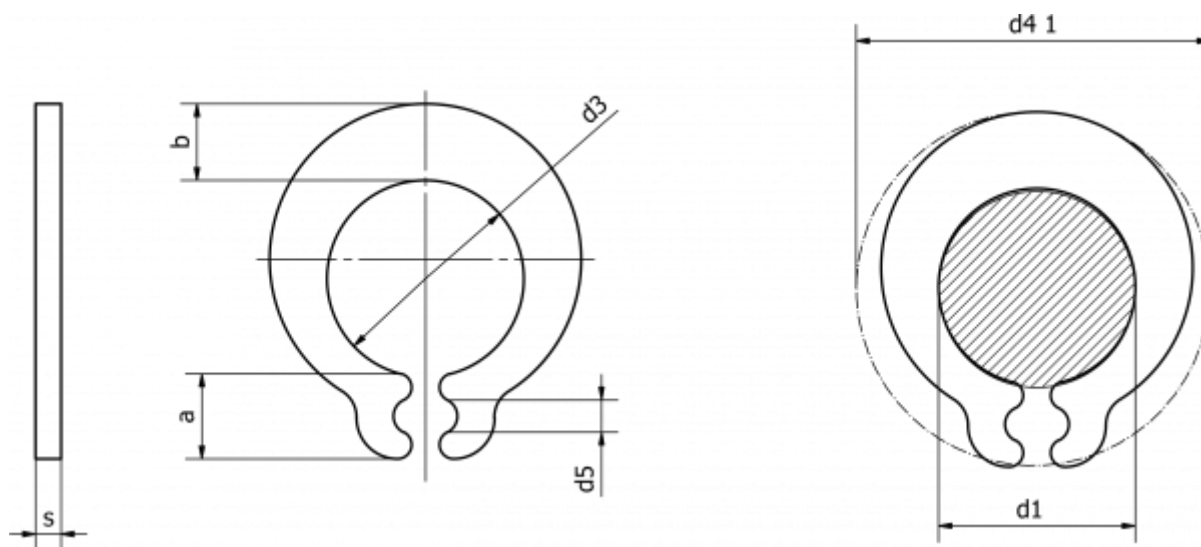
Data Sheet



Article number: 0111016

Description: Retaining ring G 5,5

Measures



a max	= 3.0	n abl x 1000	= 90
b	= 2.2	s	= 0.80
d1	= 5.5	tol	= 0.075
d3	= 5.20	Tong	= ZGG-1
d4 1	= 11.7	Weight kg/1000	= 0.216
d5 min	= 1.3		
Description	= G 5,5		
Holding force N	= 150		